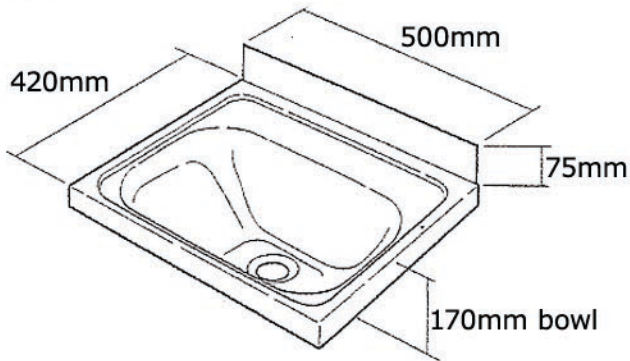


PO Box 22-736, Auckland, New Zealand  
 25 Kaka Street, Otahuhu, Auckland  
 Telephone: 09 276 7648  
 Fascimile: 09 276 7076  
 Email: sales@classicss.co.nz

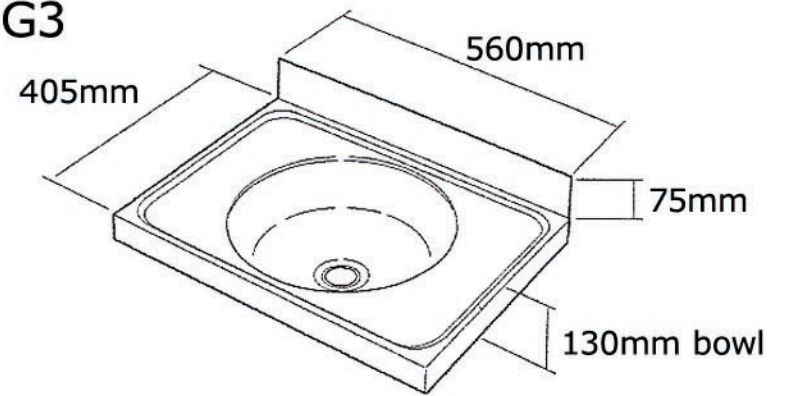
## BASINS

G1



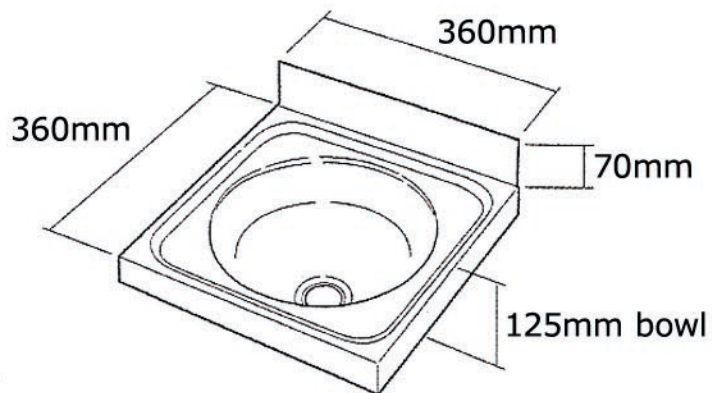
\*NOTE: Changing to 40mm waste as standard

G3



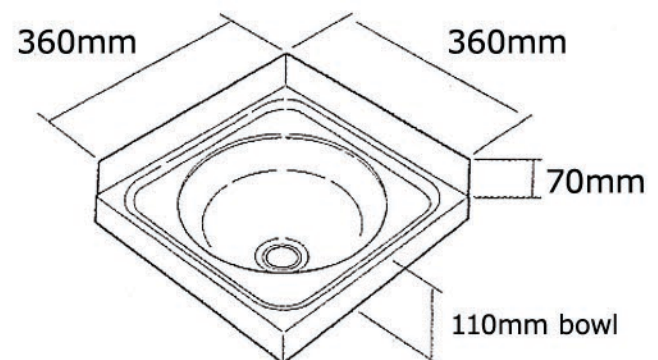
\*NOTE: Changing to 40mm waste as standard

G4



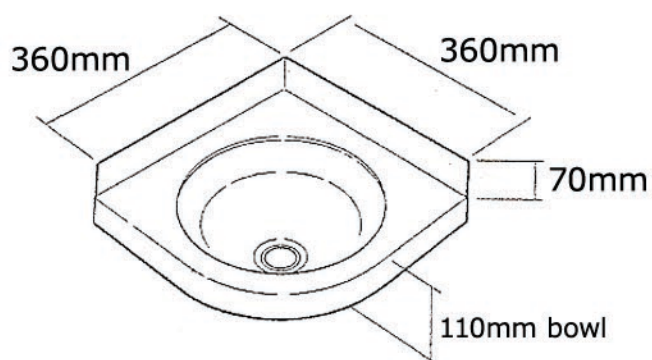
\*NOTE: Changing to 40mm waste as standard

G5



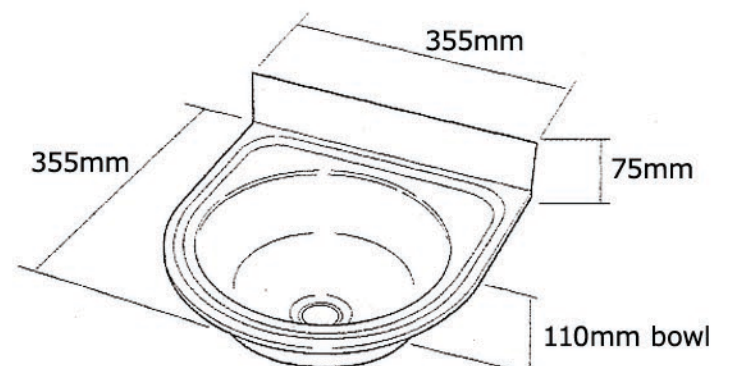
\*NOTE: Changing to 40mm waste as standard

G6



\*NOTE: Changing to 40mm waste as standard

G7



\*NOTE: Changing to 40mm waste as standard